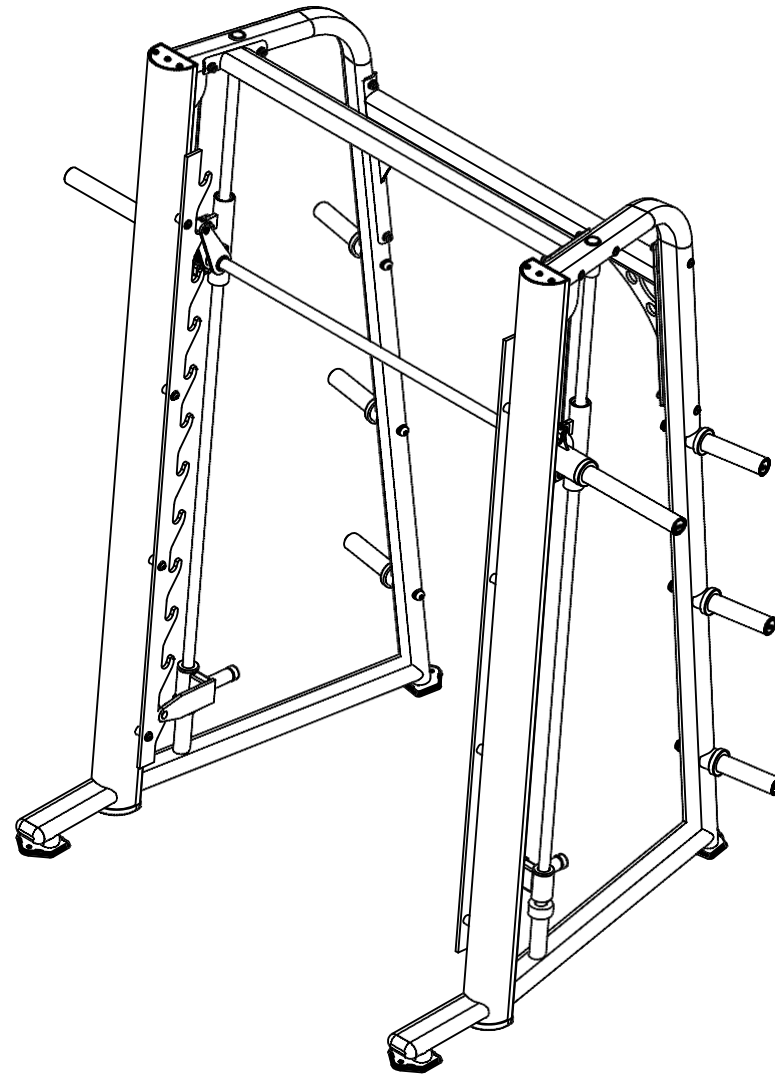
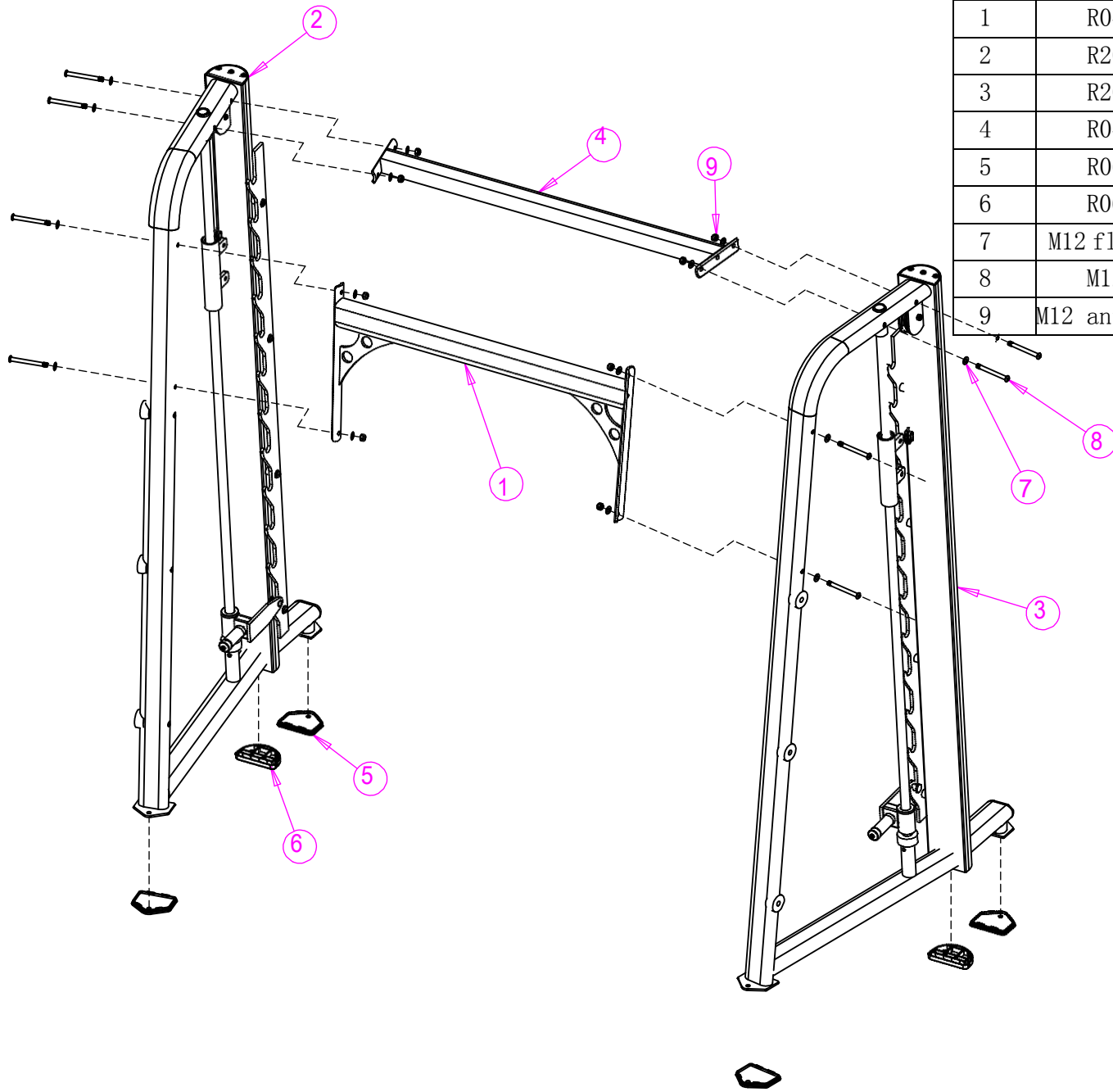
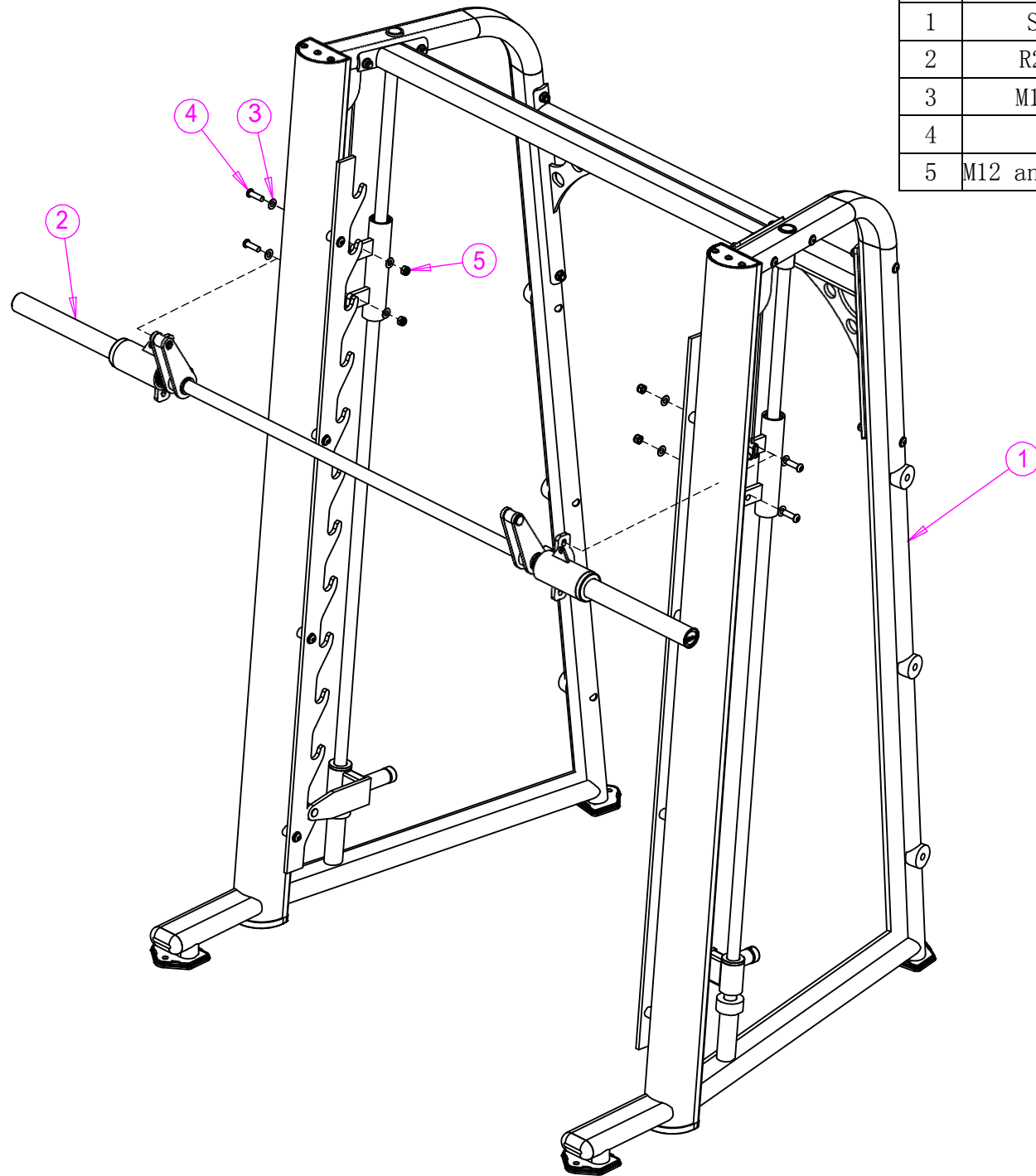


FM-1009 Smith Machine Installation Instruction

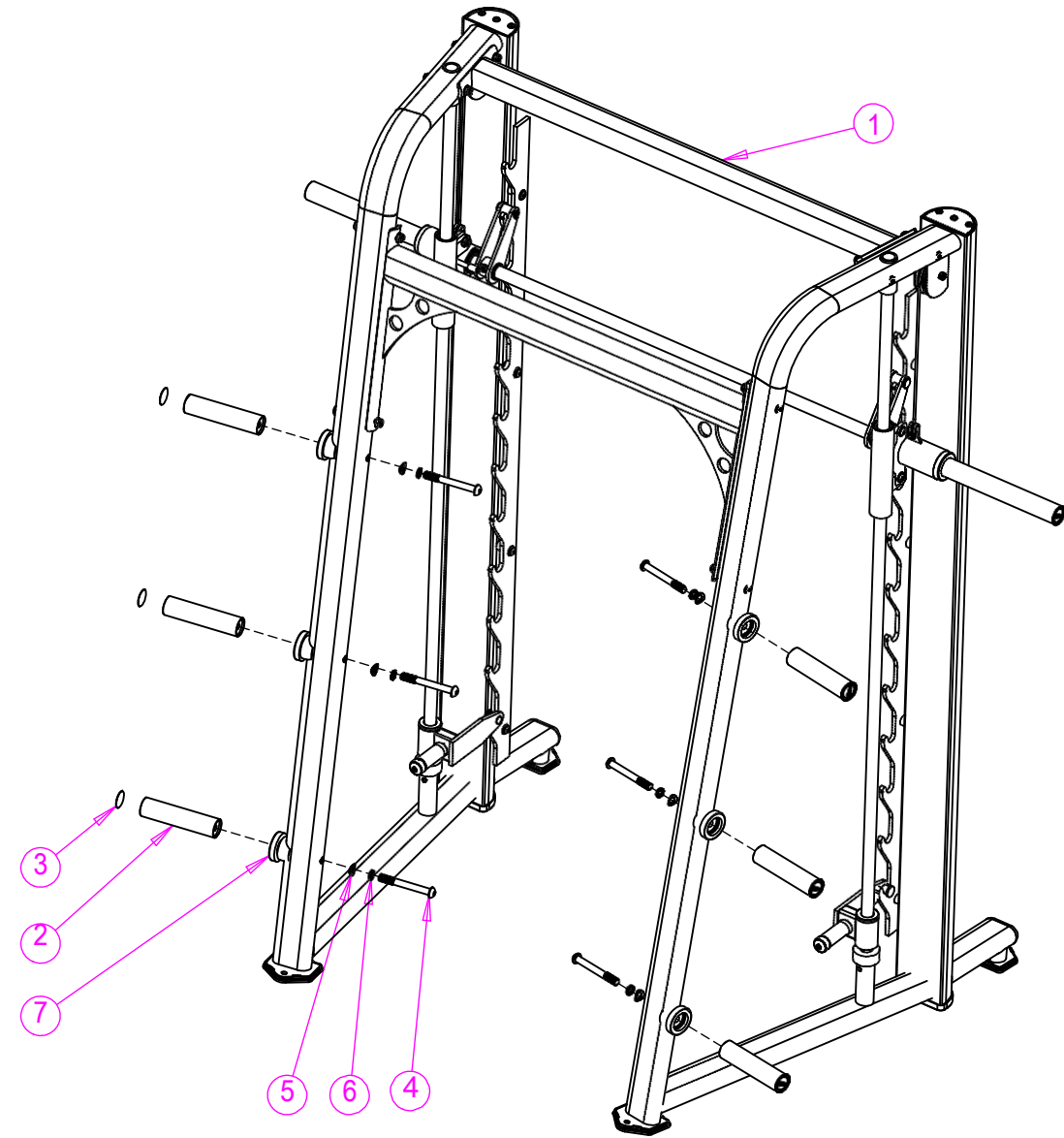




NO.	CODE	NAME	QUANTITY
1	R04-5635	Connection frame	1
2	R20-1105	Side frame	1
3	R20-1106	Side frame	1
4	R04-5629	Support frame	1
5	R06-1046	50X100 Square Pad	4
6	R06-1058	D-Foot	2
7	M12 flat washer	M12 flat washer	16
8	M12X125	Cup head M12X125	8
9	M12 anti-loose nut	M12 anti-loose nut	8



NO.	CODE	NAME	QUANTITY
1	Step 1	Step 1	
2	R20-1104	Smith Bar	1
3	M12 Flat	M12 Flat	8
4	M12X40	Cup HeadM12X40	4
5	M12 anti-loose nut	M12 anti-loose nut	4



NO.	CODE	NAME	QUANTITY
1	Step 2		
2	R04-1164	200 Bar Set	6
3	R21-1004	Lable	6
4	M16X140	M16X140	6
5	M16 Washer	M16 Washer	6
6	M16 Spring Washer	M16 Spring Washer	6
7	R06-1186	Bar Set Circle	6